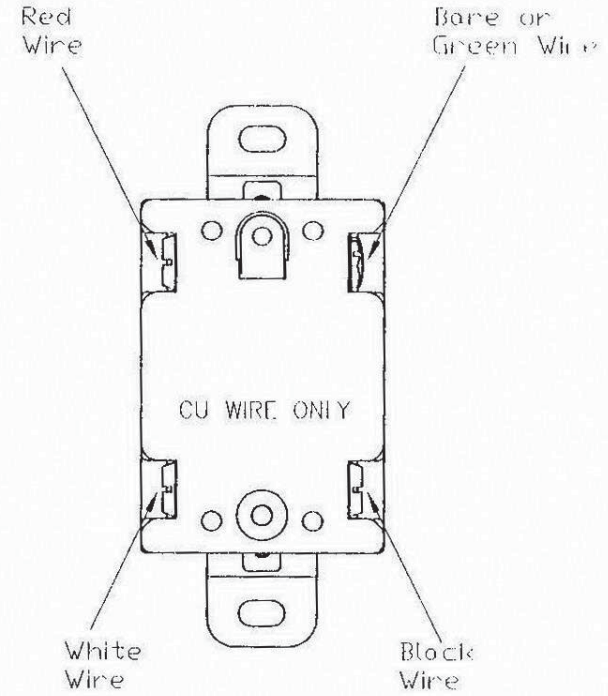
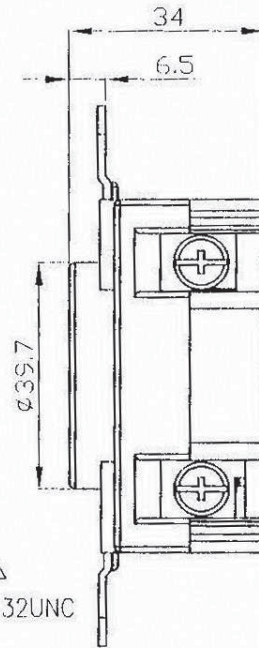
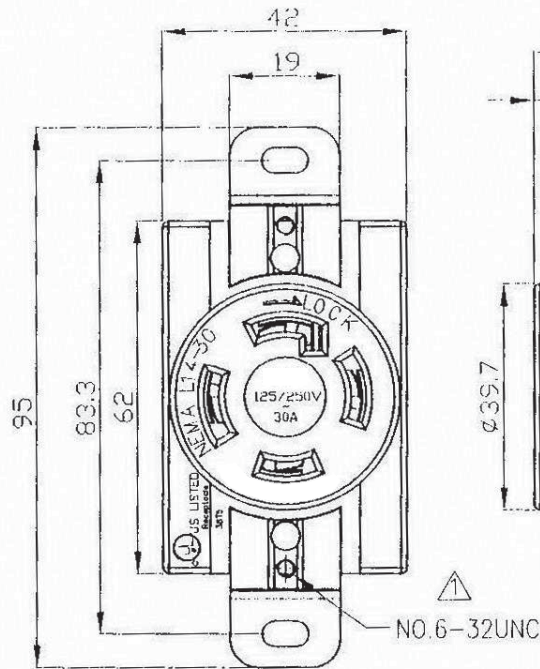
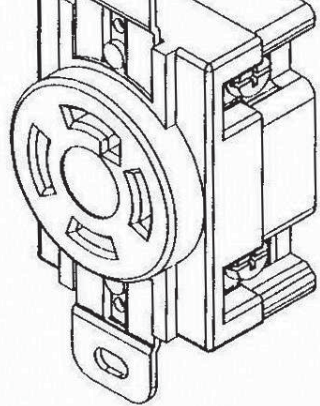


SWE-02



Rating : 30A 125/250V AC
Standard : UL 498 NEMA I.14-30



5	---			GENERAL TOLERANCE		approved	checked	designed	drawn	ALL SIZE ARE IN	MM	
4	---			GRADATION	TOLERANCE				ANN	SCALE	1:1	
3	---			X	±0.4					MAT'L		
2	M3.5x0.6 --- NO.6-32UNC			X.X	±0.3	SWEETA PRODUCTS CORPORATION				MATERIAL NO.		220403
1	DEL E-02-A			X.XX	±0.1	SWEETA PRODUCTS CORPORATION				SWE-02		
NO	DESCRIPTION	APPROVED	DATE	ANGLE	±1°							